

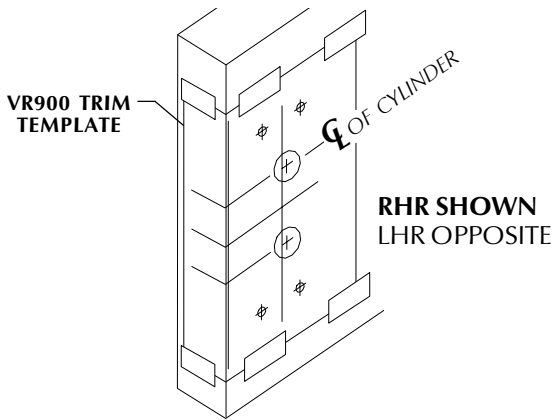


# INSTALLATION INSTRUCTIONS

## VR900/VR904 VANDAL RESISTANT TRIM FOR USE WITH MORTISE LOCKS (ON PULL SIDE OF DOOR)

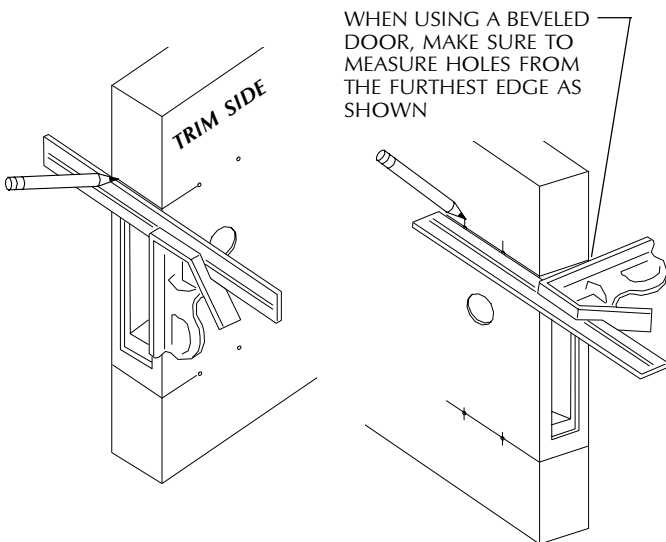
**1** PREPARE DOOR FOR MORTISE LOCK. SEE MORTISE LOCK INSTRUCTIONS FOR PREPARATION.

**2** ALIGN TRIM TEMPLATE WITH HORIZONTAL CYLINDER CENTER LINE (C) ON PULL SIDE EDGE OF DOOR AND SECURE WITH TAPE.

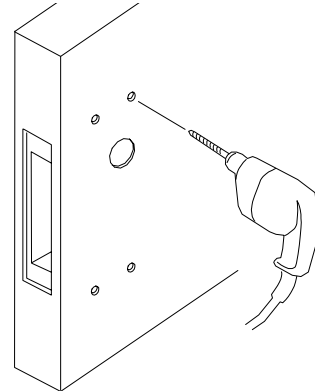


**3** MARK THE CENTER POINT OF EACH HOLE WITH A PUNCH.

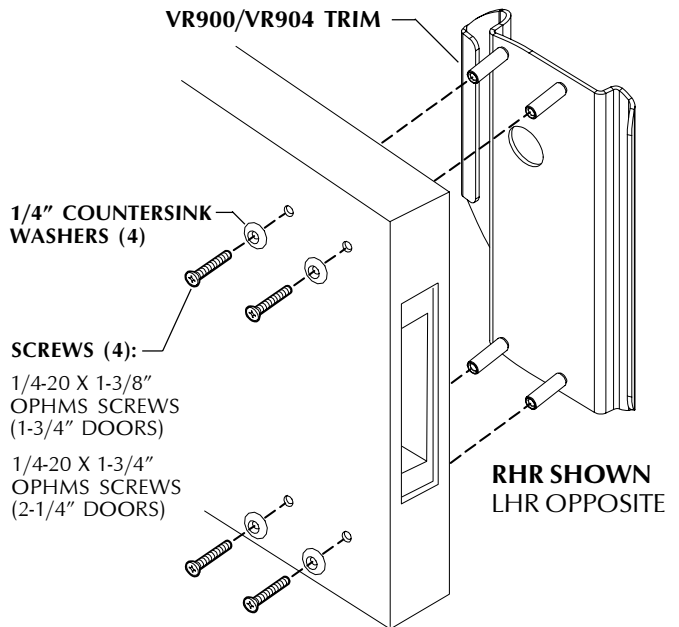
**4** USING A SQUARE, TRANSFER THE 4 MOUNTING HOLE LOCATIONS TO THE OPPOSITE SIDE OF THE DOOR. **HOLE DIMENSIONS AND PREPARATION ARE SHOWN ON TEMPLATE.**



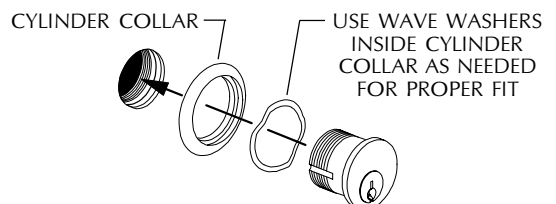
**5** LOCATE AND PREPARE ALL TRIM HOLES AS SHOWN ON TEMPLATE.



**6** SECURE TRIM TO PULL SIDE OF DOOR.



**7** SEE MORTISE LOCK INSTRUCTIONS FOR MORTISE LOCK AND CYLINDER INSTALLATION.



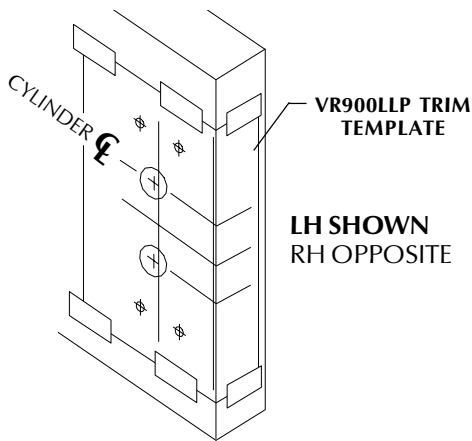


# INSTALLATION INSTRUCTIONS

## VR900LLP/VR904LLP VANDAL RESISTANT TRIM FOR USE WITH MORTISE LOCKS (ON PUSH SIDE OF DOOR)

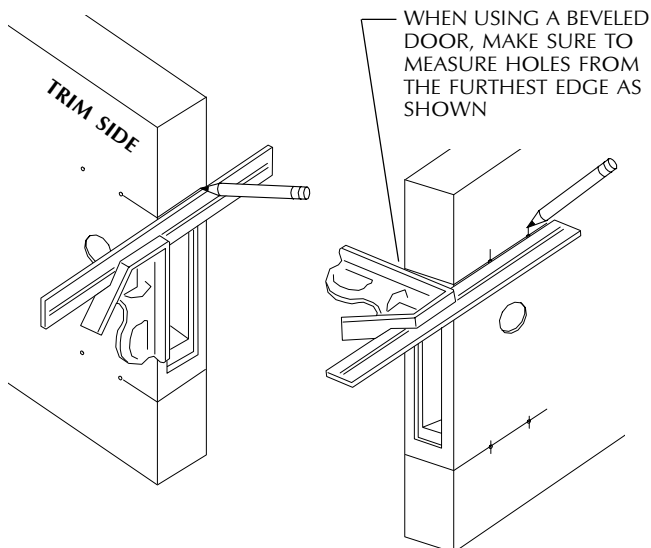
**1** PREPARE DOOR FOR MORTISE LOCK. SEE MORTISE LOCK INSTRUCTIONS FOR PREPARATION.

**2** ALIGN TRIM TEMPLATE WITH HORIZONTAL CYLINDER CENTER LINE (C) ON PUSH SIDE EDGE OF DOOR AND SECURE WITH TAPE.

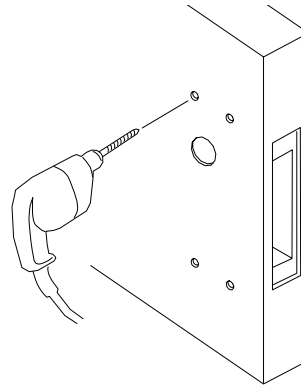


**3** MARK THE CENTER POINT OF EACH HOLE WITH A PUNCH.

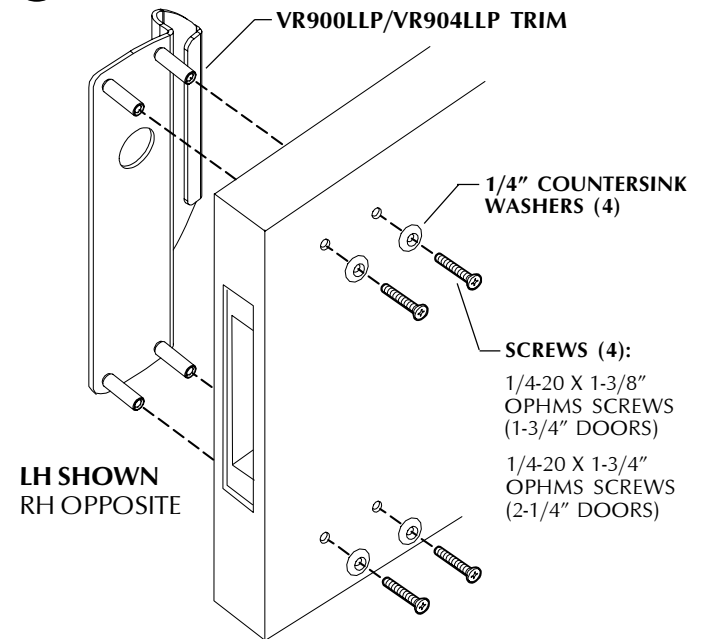
**4** USING A SQUARE, TRANSFER THE 4 MOUNTING HOLE LOCATIONS TO THE OPPOSITE SIDE OF THE DOOR. **HOLE DIMENSIONS AND PREPARATION ARE SHOWN ON TEMPLATE.**



**5** LOCATE AND PREPARE ALL TRIM HOLES AS SHOWN ON TEMPLATE.



**6** SECURE TRIM TO PUSH SIDE OF DOOR.



**7** SEE MORTISE LOCK INSTRUCTIONS FOR MORTISE LOCK AND CYLINDER INSTALLATION.

